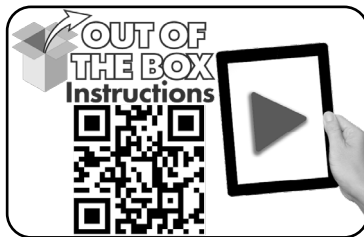


NBV190 NX NBV240 NX NBV240H NX PBT230 NX

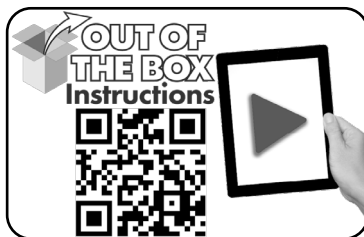
NUMATIC LITHIUM-ION
BATTERY VACUUM

Numatic

numatic.com



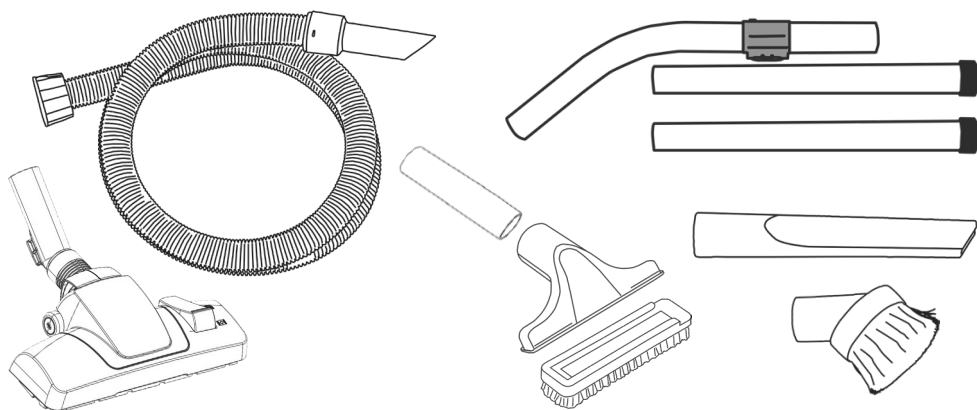
NBV190/240/240H Only



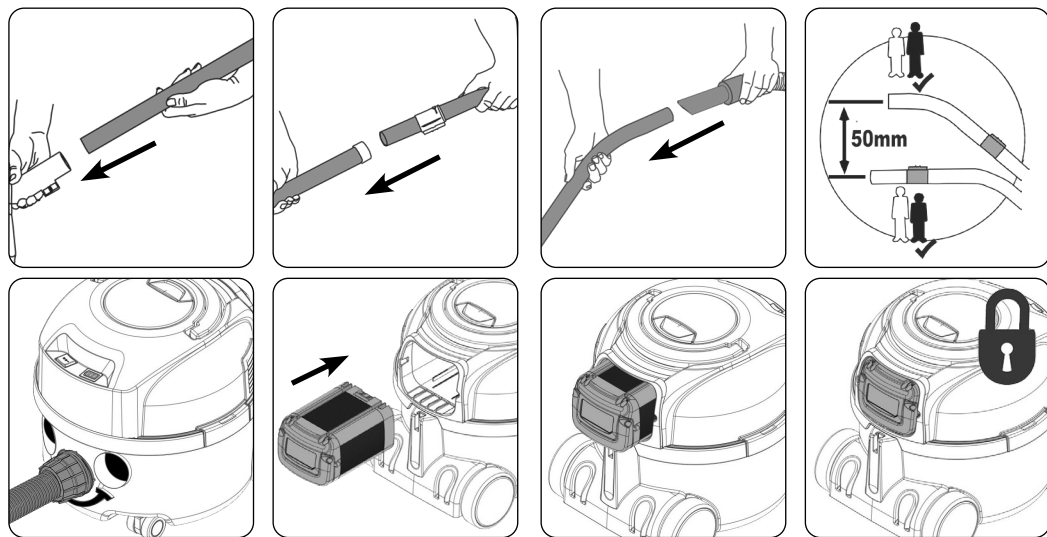
PBT230 Only

Original Instructions

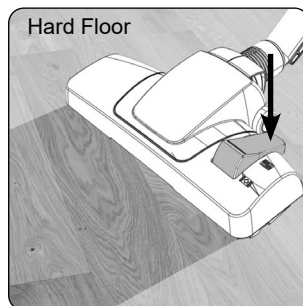
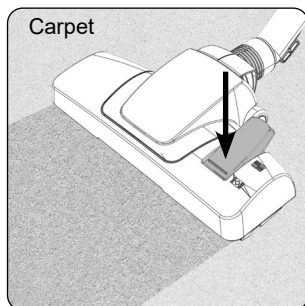
CAUTION, Read the Instructions before using the machine.



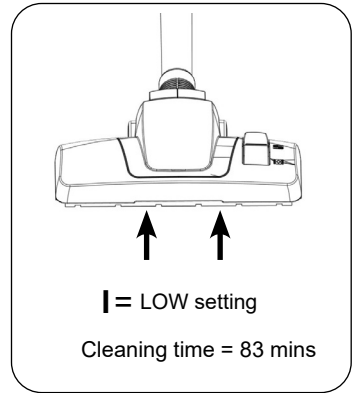
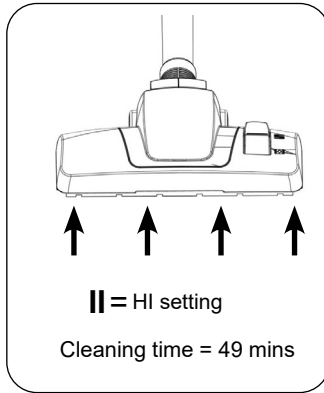
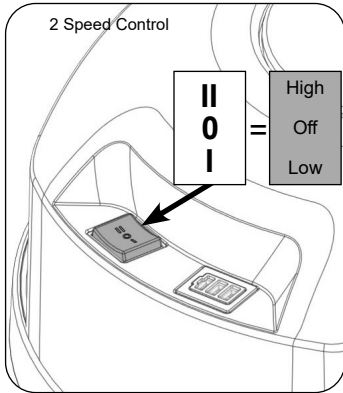
Assembly



Floor tool adjustment

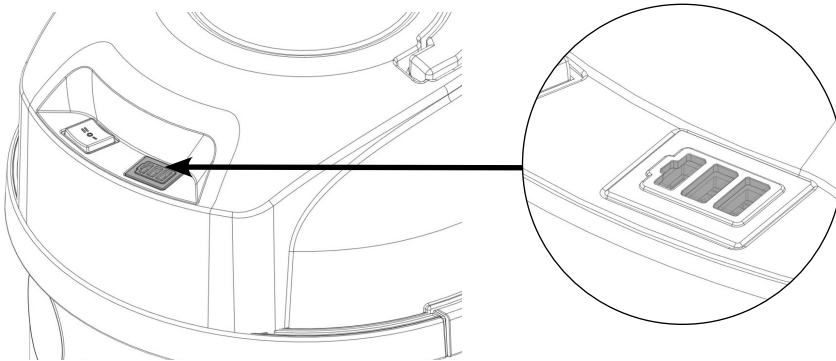


Using the machine

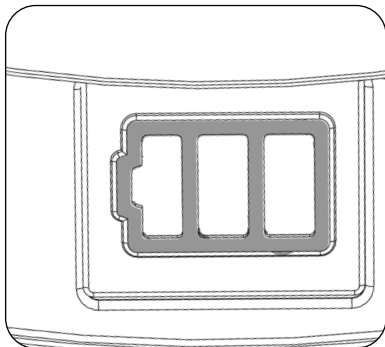


Charging your battery

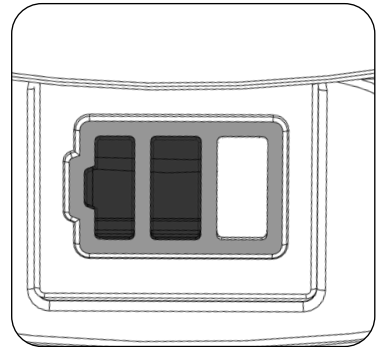
For information relating to the operation and charging of your battery please refer to the battery and charger original operating instructions



Battery Status

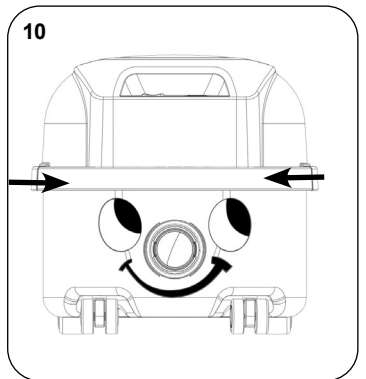
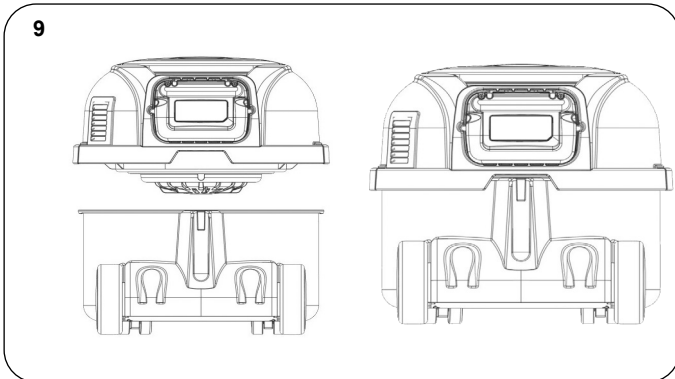
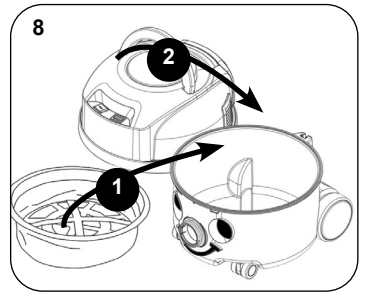
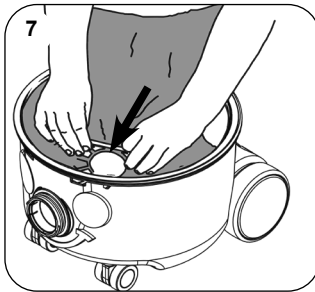
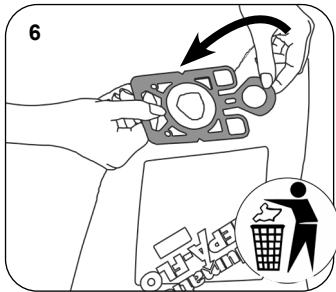
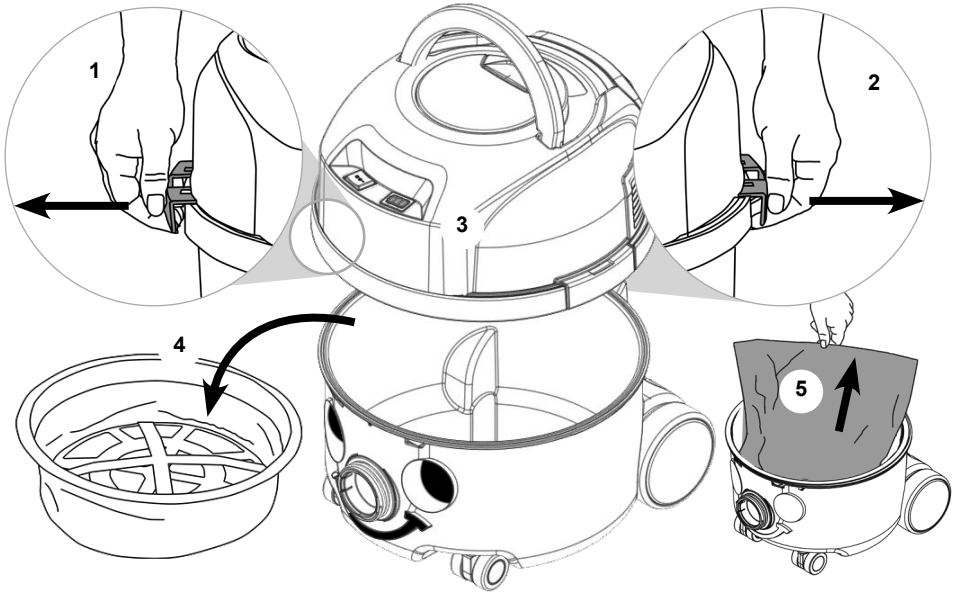


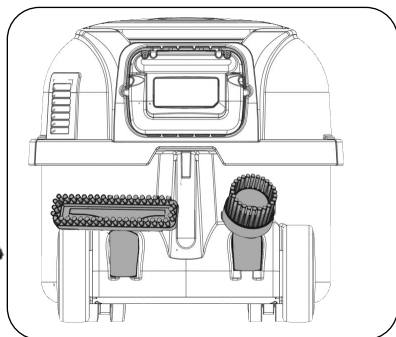
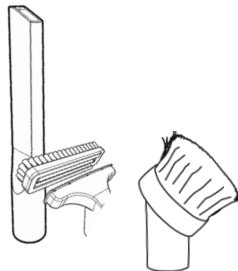
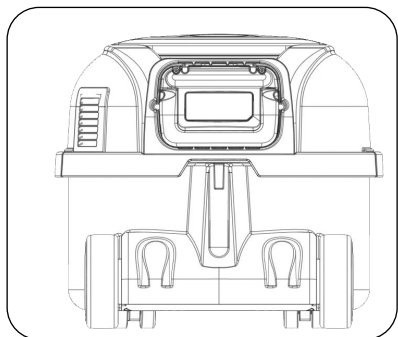
Fully charged



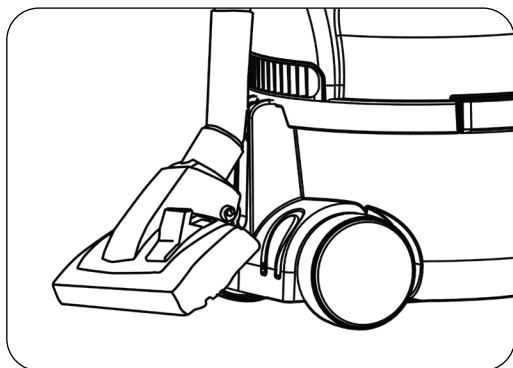
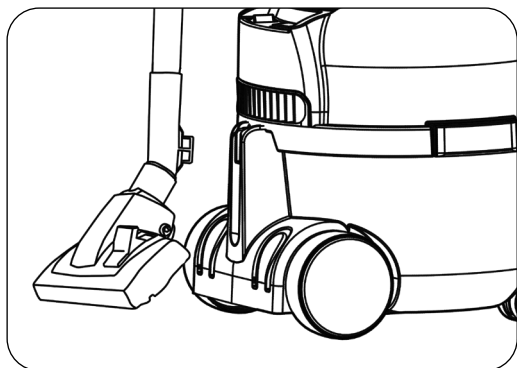
Low Battery

Cleaning your machine

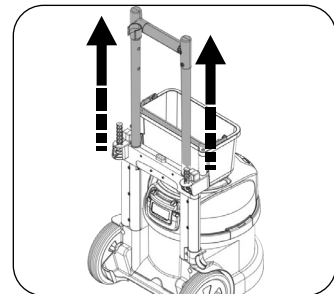
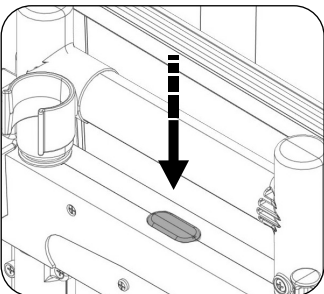
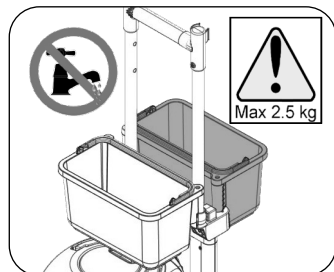
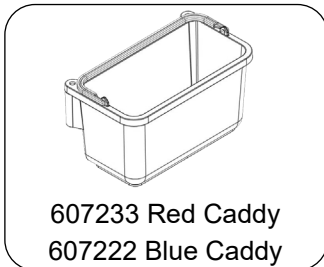
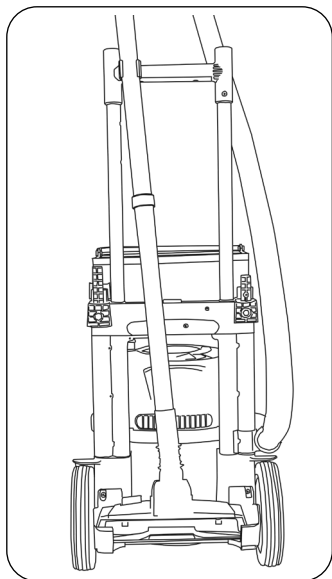




NBV Wand Docking

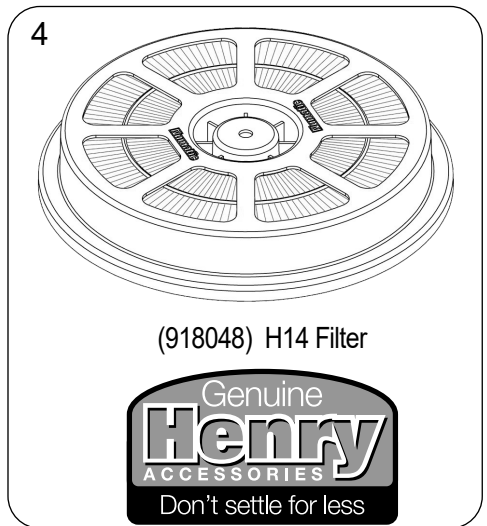
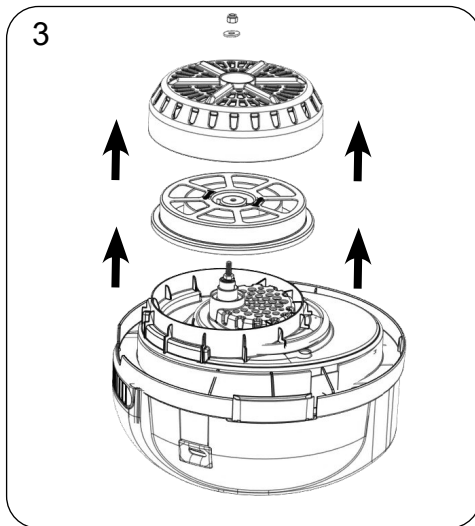
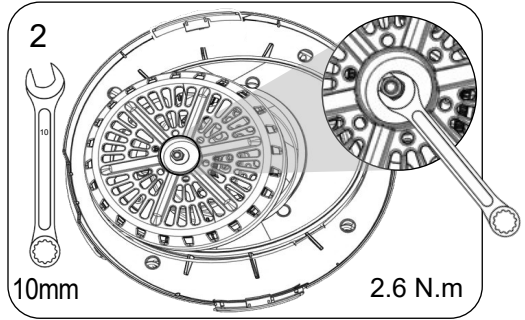
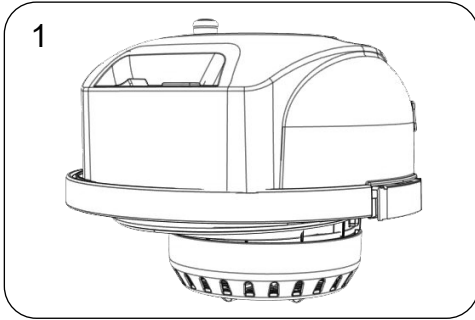


PBT 230



Replacing the Cartridge Filter

NBV 240H NX



H14 Filter - Washing Procedure

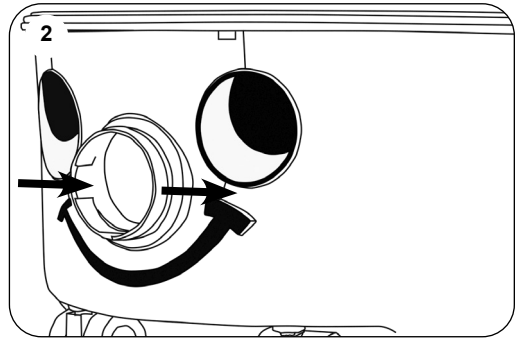
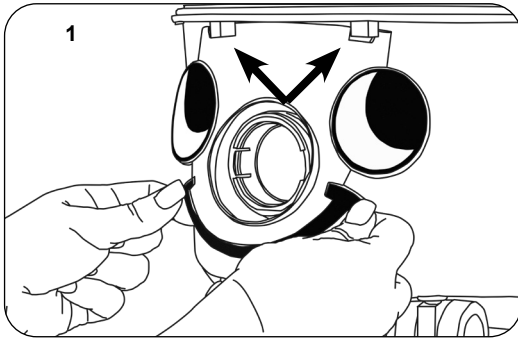
1. Remove filter.
2. Place used filter into a sealed bag and move to a well ventilated area.
3. Shake the filter to remove any dust debris.
4. Wash under slow stream of cold water.
5. Shake the filter to release water and debris. Do not knock or impact filter.
6. Repeat step 3 & 4 if needed, until no water or debris visible.
7. Leave to dry in an area with plenty of airflow for 24h+.
8. Check the filter is completely dry before refitting.
9. Maximum of four washes, before a replacement is required.

H14 Filter - Use By Date

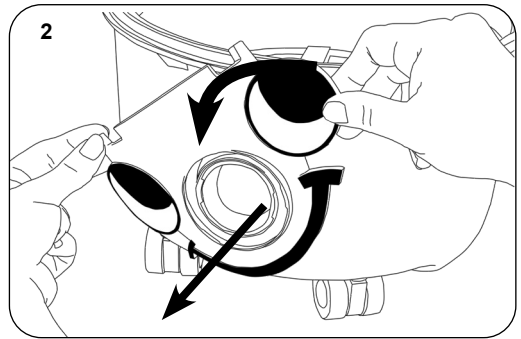
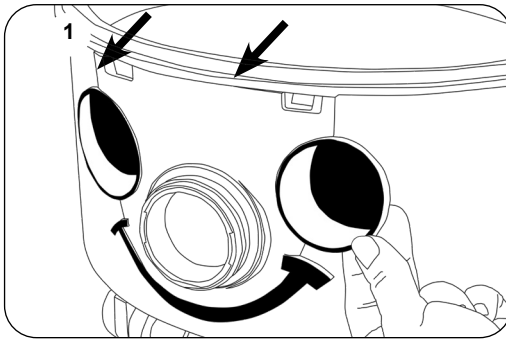
Refer to the date on the label, attached to your filter.

The filter should not be used after this date and replaced with a genuine Numatic H14 filter (918048).

Fitting the Face



Removing the Face



Data

	Voltage	Power Rating	Airflow	*Run time	Size
NBV190	36 V (DC)	350 W / 200 W	HI = 22.0 L/sec LO = 17.0 L/sec	*HI = 49 Mins *LO = 83 Mins	340 mm x 340 mm x 340 mm
NBV240					395 mm x 355 mm x 365 mm
NBV240H					395 mm x 355 mm x 365 mm
PBT 230					400 mm x 450 mm x 615 mm
	Weight	Dust bag	Capacity	*Charge time	
NBV190	7.7 kg	NVM-1CH	8 L	*1hr to 80% charge – fast charger *2hrs to 100% charge – fast charger 4.5hrs to 100% charge – slow charger	
NBV240	8.1 kg		9 L		
NBV240H	8.1 kg		7 L		
PBT 230	10.5 kg		9 L		
Sound Pressure			*Run and Recharge times may vary dependent on ambient temperature.		
LpA ≤ 70 dB(A)					

1	Voltage / Direct Current
2	Rated input power
3	Weight (ready to work)
4	Company name & address
5	Model
6	Machine yr/wk Serial number
7	Approval Mark
8	WEEE Logo
9	Use Lithium-Ion Battery Only

Rating Label



WEEE Legislation (Waste, Electrical and Electronic Equipment)

Vacuum cleaner, accessories and packaging should be sorted for environmentally - friendly recycling.

(Only for EU Countries) Do not dispose of vacuum cleaner into household waste! According to the European Directive 2012/19/EU on waste electrical and electronic equipment and its incorporation into national law.

Vacuum cleaners that are no longer suitable for use must be separately collected and sent for recovery in an environmentally - friendly manner.



PPE (personal protective equipment) That may be required for certain operations.

Ear Protection	Safety Footwear	Head Protection	Safety Gloves	
				Caution Floor Sign
Eye Protection	Protective Clothing	Dust / Allergens Protection	Hi Viz Jacket	

Note: A risk assessment should be conducted to determine which PPE should be worn.

Failure to rectify the problem or in the event of a breakdown contact your Numatic dealer or the Numatic Technical helpline +44 (0)1460 269268

Daily

- Keep the machine clean, including hoses and tubes.
- Ensure the bag and filter are fitted.
- Regularly examine the charger.
- Check dust bag frequently.
- Check filters are clean.

Weekly - as daily and:-

- Check for any worn or damaged parts and replace immediately.
- Do not steam clean or pressure wash.

Batteries

Always recharge the batteries after use.

MAINTENANCE

Safety Critical Components

Multi-Regional Charger (100-240V ~ 50/60 Hz)

Lithium- Ion Battery 8.1 Ah

Original Instructions. Read Manual before use.



Warning

Read the instruction manual before using the machine.

Operators shall be adequately instructed on the use of these machines, as with all electrical equipment, care and attention must be exercised at all times during use, you must also make certain that routine and preventative maintenance is carried out periodically to ensure safe operation.

Failure to carry out maintenance as necessary, including the replacement of parts to the correct standard could render this equipment unsafe and the manufacturer can accept no responsibility in this respect.

This machine is for DRY USE only.

You must remove the battery from the machine BEFORE cleaning or maintenance and when replacing parts or converting the machine to another function.

This appliance is intended to be assembled, cleaned and maintained by an adult.

This machine is not suitable for the collection of biological hazards, hazardous or explosive dusts.

Contact your local distributor if you require a machine capable of performing these tasks.

This machine is not intended for use by persons (including children) with reduced physical, sensory or mental capabilities, or lack of experience and knowledge.

Children should be supervised to ensure that they do not play with the appliance.

This machine is not a toy; children shall not play with this machine.

Caution

This machine must not be stored outside, or used in wet environments, or to collect wet materials.

The vacuum cleaner should be stored in a dry place and is for indoor use only.

You must ensure that the filtration system fitted to the machine is suitable for the material being collected.

Note:

The primary use for this machine is commercial, for example in hotels, schools, hospitals, factories, shops and offices.

This product complies with the requirements of clause 20 of EN/IEC 60335-2-69 Stability and Mechanical Hazards.

This vacuum cleaner is fitted with a thermal protection device.

If the vacuum cleaner has a blockage, remove the battery and inspect the floor tool, tubes and hose for debris.

If the floor tool, tubes and hose are clear, replace the dust bag and clean the filter.

The vacuum cleaner should be inspected after use for damage.

The vacuum cleaner should be stored in a dry place.

Do

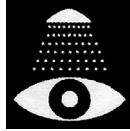
- Keep your machine clean including hoses and tubes.
- Change dust bag frequently.
- Keep filters clean.
- Keep diffuser filter (where fitted) clean.
- Use filter bags, they will enhance performance and help keep machine clean.
- Use a Numatic Original filter bag under fine dust conditions.
- Keep hoses and tubes clear.
- Replace any worn or damaged parts immediately.

Don't

- Use to suck up hot ashes or lighted cigarette ends.
- Use steam cleaners or pressure washers to clean the machine or use in the rain.
- Immerse in water for cleaning.
- Attempt machine maintenance or cleaning unless battery has been removed from the machine.
- Do not use in wet environments or to collect wet materials.
- Under any circumstances place foreign objects including (but not limited to) air fresheners, air freshener capsules or scented beads of any type into the top filter of the machine. Doing so can be dangerous and risk damage to the machine and may invalidate the machine warranty.

Numatic Lithium-ion Rechargeable Battery

36V | 8400mAh | 300Wh | 10INR19/65-3

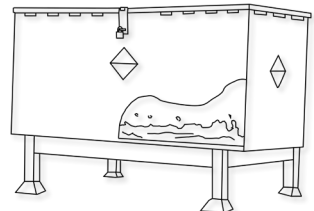


Emergency Contact Information

Address:	CBAK BATTERY HEADQUARTERS Shenzhen BAK ENERGY Co. LTD, 2603A BAK Tech Bldg, 9th Keyan Rd, Hi-tech Park, Nanshan Dist, Shenzhen City, China	NUMATIC INTERNATIONAL LTD Millfield Road, Chard, Somerset, TA20 2GB, UK
Tel:	0086-755-83283710	0044-146-068600
Fax:	0086-755-8328649	0044-146-068458
www.numatic.com www.numatic.de www.numatic.ch www.numatic.fr www.numatic.nl www.numatic.co.za www.numatic.pt www.numatic.es www.numatic.it www.numatic.dk		

EN 1. DEFECTIVE BATTERIES

1. If a customer wishes to return a battery to a supplier, then collection of the battery must be arranged by the supplier; however. **Faulty batteries must not be returned through the postal system or by courier.**
2. If on return to a supplier, OR at a customer base, a suspected defective battery shows any signs of impact damage, distortion, blistering, loose parts, liquid ingress or leakage then on no account should it be offered for condition checking. It must be considered defective and the procedures described from item 9 below should be followed.
3. If, on return to a supplier, OR at a customer base, a suspected defective battery, that shows No signs of impact damage, distortion, blistering, loose parts, liquid ingress or leakage, may be offered for condition checking with an appropriate battery condition checking device operated by a competent person.
4. If battery is subjected to any liquid ingress users should put the pack upright immediately, with the terminal face downwards.
5. If checking shows the battery to be defective then the procedures described from item 9 below should be followed.
6. If on checking the battery is found to be operational then a single recharge cycle under observation can be attempted with the appropriate Numatic charger.
7. If the battery recharges correctly on this single recharge cycle then it can be deemed a good battery.
8. If the battery fails to recharge correctly on this single recharge cycle then it must be deemed a defective battery and the procedures described from item 9 below should be followed.
On no account must any further attempt to recharge be made. A defective battery should not be stored inside buildings on any account.
9. The defective battery should be discharged by placing it in a container of salt water located in a well-ventilated area. This container should contain 25 litres minimum of saline water at a concentration of 15g common salt / litre of water. The container should have a closed locked lid but should not be sealed. The battery should be left fully immersed in the water to a depth of at least 100mm for at least 2 weeks. The water should be disposed of as hazardous waste when the discharge is complete.
10. The defective discharged battery can then be stored in a locked battery waste container which should be plastic or plastic lined and placed away from buildings and clearly signed as a defective battery container with appropriate warnings.
11. The batteries should then be sent for waste disposal according with your country's waste regulations.
12. Exhausted batteries are to be removed from the appliance and safely disposed of.



An example of a waste battery storage bin well away from buildings.

2. HANDLING AND STORAGE EN

DANGER!

Improper handling can lead to an explosion or ignite a fire!
Store batteries out of reach of children.

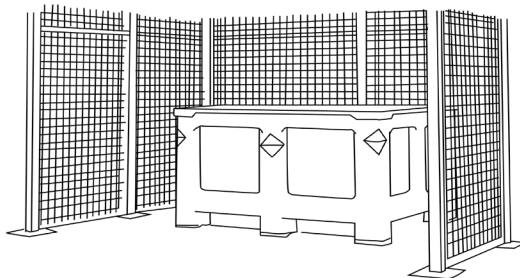
- Insert the battery in the appliance only when it is in use.
- Always remove the battery from the appliance for transport and when it is not in use.
- Storage temperature range: $-10^{\circ}\text{C}\sim 55^{\circ}\text{C}$.
- Temperatures must not exceed 55°C .
- Relative humidity range: 45 to 80%.
- Optimum preservation of functionality: $15^{\circ}\text{C}\sim 25^{\circ}\text{C}$.

WARNING:

- Do not open the battery, disassemble it or allow it to fall from a substantial height.
- Protect the battery against short-circuiting – danger of explosion!
- Protect the battery against rain, do not immerse in liquids especially flammable liquids – danger of short-circuiting potential risk of fire or explosion. Follow defective battery disposal safety procedure. Insure the product is moved away from any combustible source.
- Protect the battery against direct sunlight, heat and fire.
- Do not incinerate the battery – danger of explosion!
- Do not use defective or deformed batteries.
- Use only original NUMATIC chargers to charge the battery.

STORAGE:

- If the appliance is to be stored unused for a long period, the batteries should be removed
- Good batteries should be stored in a protected area away from sources of direct heat and sunlight and should be kept dry.
- The temperature should not exceed 55°C but preferably not be above 25°C to maintain good battery performance.
- Storage area should be of low humidity, non dusty and a non corrosive atmosphere.



- An example of a well protected area with a cage to protect against accidental impact damage and with the batteries stored in a protective container to protect from heat, impact and accidental spillage of liquids.
- Care when handling / moving with forklift trucks or pallet trucks is needed at all times to avoid any physical damage to the batteries.
- If a good battery at any time is mishandled or subjected to any conditions that may damage it, as described in the battery Instruction manual supplied, it must then be considered as defective and procedures followed from Item 1 of this document overleaf.

EN 3. HAZARDS IDENTIFICATION

- Electrolyte may escape from damaged batteries. Avoid contact.
- Contact can cause skin irritation, burns and chemical burns.
- If liquid comes into contact with eyes, seek medical attention.
- Avoid inhaling any vapours formed or released – caustic.

EN 4. FIRST AID MEASURES

In the event of contact with released electrolyte or electrolyte vapours:

- Eye contact – flush eyes for at least 15 minutes with plenty of clean water without rubbing and seek medical attention.
- Skin contact – wash affected areas of skin with plenty of water and soap; if irritation persists, seek medical attention.
- Inhalation – provide fresh air or administer oxygen immediately and seek medical attention.
- Ingestion – if electrolyte has been ingested, seek medical attention immediately.

Information for physicians:

- Contains caustic alkaline electrolytes in cells with lithium oxide, nickel oxide and cobalt/lithium manganese oxide cathodes – NO LITHIUM METAL OR LITHIUM ALLOYS.

EN 5. FIRE FIGHTING MEASURES

- In case of fire – Keep clear of vapours and gases generated, take wind direction into consideration. If possible without danger, remove batteries from the vicinity of the fire. In principle, cooling or extinguishing with water is possible, but should only be done by trained personnel with sufficiently large quantities of water.
- If the hazard situation is unclear, extinguish only with ABC powder extinguishers (Class D extinguishers for fires involving metals are especially suitable).
- Fire fighters should only approach the fire wearing protective clothing and self-contained breathing apparatus.
- Once the fire has been extinguished, as a rule, the area should be monitored (fire watch) and cleaned up by trained and appropriately equipped personnel; fire residue should be contained and disposed of properly.

EN 6. ACCIDENTAL RELEASE

Disposal – Wear protective gear, wipe up with absorbent textile and dispose of as hazardous waste at collection points for hazardous waste according to national regulations.

EN 7. EXPOSURE CONTROLS, PERSONAL PROTECTION

Respiratory Protection:

- In case of battery venting, providing as much ventilation as possible. Avoid confined areas with venting batteries.
- Respiratory Protection is not necessary under conditions of normal use.

Ventilation:

- Not necessary under conditions of normal use.

Protective Gloves:

- Not necessary under conditions of normal use.

Other Protective Clothing or Equipment:

- Not necessary under conditions of normal use.
- Personal Protection is recommended for venting batteries: Respiratory Protection, Protective Gloves, Protective Clothing and safety glass with side shields.

- Use NUMATIC batteries only with NUMATIC appliances and charge them only using NUMATIC chargers.
- Charge battery before use.
- Store the battery out of the reach of children.
- Secure the appliance against unintentional start up – remove the battery from the appliance before transporting or storing the appliance.
- Protect from rain and liquid ingress
- Protect from direct sunlight, heat, and open flames.
- Keep a battery that is not in use away from metal objects, (e.g. nails, coins, jewellery).
- Follow the disposal advice of the manufacturer and any internal waste management guidance.
- Use and store the battery with-in temperature range (as shown in Temperature Range Table).

Warning: Use only with Numatic battery charger. The battery included in this product must only be charged by the Numatic Charger and docking system supplied with the product and in NO circumstances should an alternative non Numatic charger be used as there is risk severe damage and fire could result.

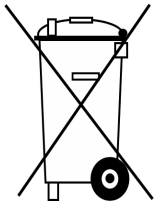
Note* "If batteries are subjected to temperatures beyond normal operating limits automatic shutdown will occur. Under these conditions allow the batteries to acclimatise at room temperature (18°C – 22°C) for several hours to allow the battery to wake up".

Temperature Range Table	
CHARGING	5°C~35°C
DISCHARGING	5°C~35°C
STORAGE OPTIMUM	15°C~25°C
STORAGE LIMIT	-10°C~55°C

- Throw battery into fire – risk of explosion!
- Charge or use a defective, damaged or deformed battery including batteries subjected to liquid ingress.
- Open, damage or drop the battery.
- Expose the battery to microwaves or high pressure.
- Immerse in fluids, especially flammable liquids.
- Insert objects in the battery's cooling slots.
- Bridge (short circuit) the battery terminals with metallic objects since this may damage the battery.
- Use metal containers for transporting batteries.
- Expose the appliance or battery to excessive temperatures.
- Expose the batteries to high temperatures including direct sunlight.
- Crush, break open or physically abuse the batteries or the equipment that contains them.
- Use modified or damaged batteries

EN

10. DISTRIBUTOR TAKE-BACK / DISPOSAL



- On the basis of Battery Directive, the manufacturers take responsibility for financing collection, treatment and recycling of batteries used in devices. To this end, batteries must be handed over for disposal to the collection systems established for this under national law. Disposal of batteries together with household waste is prohibited; batteries must be collected separately according to type.
- Return the battery free of charge to your NUMATIC servicing dealer for disposal or hand it over to an appropriate public collection point.

EN

11. CHARGING BATTERIES

- The charger is intended for use only on flat surfaces, place horizontally on floor or work surface. The charger is intended for use with the detachable power cord supplied, the power unit is capable of operating at different voltages without user adjustment. If the charger is damaged or does not charge anymore, please return to service centre.

Charging Procedure:

- Rechargeable batteries are to be removed from the appliance before being charged.
- Ensure the battery is fully inserted into the charger.
- Fit the mains power cord to charger and suitable power supply.

Please Note: If the battery is above its optimum charging temperature (due to ambient temperature or it if was recently discharged) the charger LED will illuminate on/off RED for a maximum of 40 minutes whilst the battery temperature falls to an acceptable level for charging to begin.

- The LED should show RED to indicate charging.
- Once fully charged the LED will show GREEN.
- If power is supplied to the charger with no battery fitted the LED will show GREEN to indicate STAND-BY status.

Battery Charger State of Charge Indicator (SoC)	
No Battery Connected	Green Flashing Light
Charging	Red Light
80% Charged	Green Light
Error Condition / Battery Over Temperature	Red Flashing Light

CAUTION!

- Protect the charger from moisture and store it in a dry place.
- Check the mains cord regularly for any sign of damage.
- Do not use damaged devices.
- If the mains cord of the charger is damaged, it must be replaced by an original NUMATIC INTERNATIONAL cord available from the manufacturer or service agent.

EN

12. WARRANTY

Lithium-Ion Battery Warranty Warranty: Commercial Use

- Batteries are warranted (3 Year) providing all battery care rules are followed
- To claim warranty the following details must be supplied
 - Serial number of the machine
 - Battery date code
 - Date purchased
 - Proof of Purchase
 - Maintenance history and charging regime

Failure to use the correct Numatic charger will void your warranty.

Numatic
INTERNATIONAL LTD

Chard Somerset TA20 2GB, United Kingdom

1853P Rechargeable Li-Ion Battery Pack

VOLTAGE 36V | CAPACITY 8400mAh | ENERGY 300Wh | 10INR19/65-3 | P/N *****

CAUTION: Risk of fire and burns. Do not open, crush, heat above 60°C or incinerate. Follow manufacturer instruction, read instructions before use. Charge only with Numatic specific charger. Max charge current 6A, Max charge voltage 42.0V.

May cause heat, explosion and fire.

ATTENTION: Risque d'incendie et de brûlures, ne pas ouvrir, écraser, chauffer à plus de + 60 ° C ou incinérer. Suivez les instructions du fabricant. Ne pas utiliser sans instruction avant utilisation. Charger uniquement avec le chargeur spécifique Numatic. Courant de charge max. 6A, tension de charge max. 42.0V. Peut causer de la chaleur, de l'explosion et un incendie.

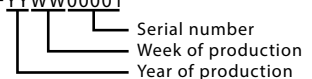







MADE IN CHINA

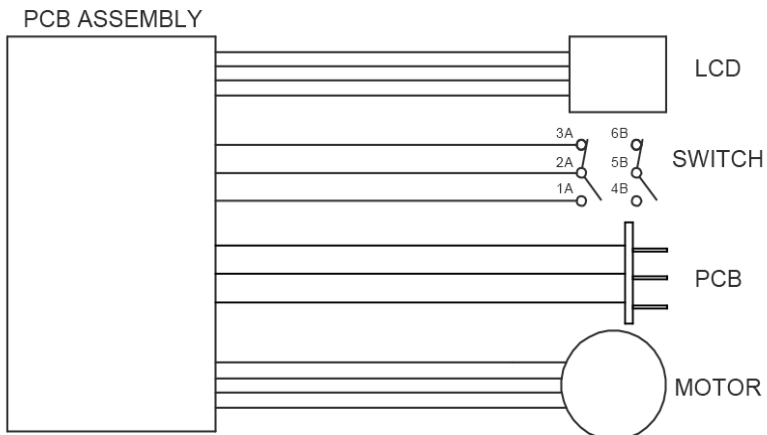
ZP19006-01FYIWW00001



Replacement parts

Filter	
909559	Tritex filter (Boxed)
918048	H14 Pre Motor Filter
HepaFlo dust bags	
907075	NVM-1CH Dust bags (Pack of 10)
907076	NVM-1CH Dust bags (Pack of 5)
909291	NVM-1CH Dust bags (Pack of 3)
Battery	
913686	37 V Battery
Charger	
607846	Standard battery charger dock & mains lead (UK)
Fast charger	
911334	Fast battery charger dock (UK)
912365	Mains charge lead (UK)
PBT Caddy	
607233	Red Caddy
607222	Blue Caddy

Schematic diagram



Numatic International Warranty

Numatic International Limited warrant to the original purchaser that its products are free of defects in both material or workmanship for the period shown below:-

Homecare and Cleancare Vacuum cleaners.....	2 Years
Rotary Floor Machines.....	2 Years
Twintec Auto Scrubber Dryer.....	1 Year
Vario Ride-On Scrubber Dryer.....	1 Year / 1500 hours
Mopping, Compacts, Combi and Servocare Products.....	1 Year
Individual Accessories and Spare Parts.....	6 Months

Note: This warranty expressly excludes consumable parts such as carbon brushes, floor brushes, mops, batteries etc, that are considered replaceable from time to time during the normal working life of the machine.

Using non Numatic dustbags can be detrimental to both machine performance and life and may invalidate the Warranty.

- A. The warranty period commences from the date the goods are purchased.*
- B. All warranty claims must be processed through the Dealer from whom the equipment was purchased. The Dealer will co-operate with the purchaser throughout the warranty claims procedure and will arrange any necessary repairs using genuine Numatic parts.*
- C. If the original Dealer is no longer able to fulfil his obligations please contact Numatic International Limited with full details of the claim and proof of purchase so that this may be processed without delay.*
- D. Any warranty claim can only relate to the specific part that is proven to be at fault and for which a replacement will be supplied but cannot be extended to constitute a claim against the complete machine.*
- E. Numatic International will supply the Dealer with any warranty parts required, subject to the claim being validated, after return of the faulty items in accordance with Numatic International Limited's General Conditions of Sale.*
- F. Claims will not be accepted if they are the result of fair wear and tear, misuse or abuse of any kind.*
- G. No replacement will be given unless the appropriate evidence of the validity of the claim has been provided to the satisfaction of Numatic International Limited.*
- H. Numatic International Limited reserve the right to charge for any unnecessary work carried out as a result of an invalid claim.*
- I. No variation to this warranty may be made or implied by any member of Numatic International Limited or its Dealers unless such variation is in writing and authorised by the Company*

Numatic

Numatic International Limited. Chard, Somerset, TA20 2GB

Telephone: 01460 68600 Fax: 01460 68458

© Numatic International Limited

<p>UKCA Declaration of Conformity</p>	<p>Manufacturer: Numatic International Limited Chard Somerset TA20 2GB www.numatic.co.uk</p> <p>Product: NBV, PBT</p> <p>Description: Vacuum Cleaner – Commercial – Dry - Battery</p> <p>We, Numatic hereby declare under our sole responsibility, that the above-mentioned product(s) is/are in conformity with the following directives and standards.</p> <p>S.I. 2008: 1597</p> <p>Supply of Machinery Regulations EN60335-1:2012 + AC:2014 + A11:2014 + A13:2017 EN60335-2-69:2012 EN62233:2008</p> <p>S.I. 2016: 1091</p> <p>EMC Regulations EN55014-1:2017 + A11:2020 EN55014-2:1997 + A1:2001 + A2:2008</p> <p>S.I. 2012: 3032</p> <p>RoHS Regulations</p> <p>Authorised Signatory: Mr. Matthew Coles Position: Head of Technology Numatic International Limited, Chard, Somerset, TA20 2GB, UK</p>
--	--

Authorised Signatory: Mr. Matthew Coles
Position: Head of Technology
Numatic International Limited,
Chard,
Somerset, TA20 2GB, UK

Signed:  Date: 5th February 2024

<p>EU, EC, EL, UE, ES: Declaración de conformidad Ukrajina Poland Prohlášení o shodě Konformitätsklärung Overensstemmelseserklæring Declaração de conformidade Dichiarazione di conformità Attestation de conformité</p>	<p>DECLARACIJA ZGODNOSTI Україна Польша Prohlášení o shodě Konformitätsklärung Overensstemmelseserklæring Declaração de conformidade Dichiarazione di conformità Attestation de conformité</p>	<p>DECLARACIJA ZGODNOSTI Україна Польша Prohlášení o shodě Konformitätsklärung Overensstemmelseserklæring Declaração de conformidade Dichiarazione di conformità Attestation de conformité</p>	<p>DECLARACIJA ZGODNOSTI Україна Польша Prohlášení o shodě Konformitätsklärung Overensstemmelseserklæring Declaração de conformidade Dichiarazione di conformità Attestation de conformité</p>	<p>DECLARACIJA ZGODNOSTI Україна Польша Prohlášení o shodě Konformitätsklärung Overensstemmelseserklæring Declaração de conformidade Dichiarazione di conformità Attestation de conformité</p>
<p>Declaration of conformity</p>	<p>Declaration of conformity</p>	<p>Declaration of conformity</p>	<p>Declaration of conformity</p>	<p>Declaration of conformity</p>
<p>Declaration of conformity</p>	<p>Declaration of conformity</p>	<p>Declaration of conformity</p>	<p>Declaration of conformity</p>	<p>Declaration of conformity</p>
<p>Declaration of conformity</p>	<p>Declaration of conformity</p>	<p>Declaration of conformity</p>	<p>Declaration of conformity</p>	<p>Declaration of conformity</p>
<p>Declaration of conformity</p>	<p>Declaration of conformity</p>	<p>Declaration of conformity</p>	<p>Declaration of conformity</p>	<p>Declaration of conformity</p>
<p>Declaration of conformity</p>	<p>Declaration of conformity</p>	<p>Declaration of conformity</p>	<p>Declaration of conformity</p>	<p>Declaration of conformity</p>
<p>Declaration of conformity</p>	<p>Declaration of conformity</p>	<p>Declaration of conformity</p>	<p>Declaration of conformity</p>	<p>Declaration of conformity</p>
<p>Declaration of conformity</p>	<p>Declaration of conformity</p>	<p>Declaration of conformity</p>	<p>Declaration of conformity</p>	<p>Declaration of conformity</p>
<p>Declaration of conformity</p>	<p>Declaration of conformity</p>	<p>Declaration of conformity</p>	<p>Declaration of conformity</p>	<p>Declaration of conformity</p>
<p>Declaration of conformity</p>	<p>Declaration of conformity</p>	<p>Declaration of conformity</p>	<p>Declaration of conformity</p>	<p>Declaration of conformity</p>

Authorised Signatory: Mr. Matthew Coles

Position: Head of Technology
Numatic International Limited
Chard,

Signed:  Date: 5th February 2024

Somerset, TA20 2GB, UK



numatic.com

Numatic International Limited (Head Office)

Chard, Somerset TA20 2GB, UNITED KINGDOM

Tel: 01460 68600 numatic.com

Numatic International GmbH

Fränkische Straße 15-19, 30455 Hannover, DEUTSCHLAND

Tel: +49 (0) 511 984 2160 numatic.de

Numatic International Denmark

Fränkische Straße 15-19, 30455 Hannover, DEUTSCHLAND

Tel: +45 (0) 316 40808 numatic-online.dk

Numatic International S.A.S

13/17 rue du Valengelier, EAE la Tuilerie, 77500 Chelles, FRANCE

Tel: +33 (0) 164 726 161 numatic.fr

Numatic International BV

Vennootsweg 15, 2404 CG, Alphen aan den Rijn, NEDERLAND

Tel: +31 (0) 172 467 999 numatic.nl

Numatic International Schweiz AG.

Sihlbruggstrasse 3A, 6340 Baar, SCHWEIZ

Tel: +41 (0) 41 768 0760 numatic.ch

Numatic International (PTY) Ltd.

Cnr. 16th & Pharmaceutical Road, Randjes Park, Midrand 1685, SOUTH AFRICA

Tel: +27 (0) 861 686 284 numatic.co.za

Numatic International ULDA

Rua Francisco da Silva Duarte, nº79,

4475-269 Santa Maria de Avioso, Castelo da Maia, PORTUGAL

Tel: +351 220 047 700 numatic.pt

NUMATIC INTERNATIONAL SPAIN, S.L.U.

Av. Baix Llobregat, 5-7, Oficina bajos 1 (Parc Negocis Mas Blau II),

08820 El Prat de Llobregat (Barcelona) SPAIN

Tel: +34 93 647 22 22 numatic.es

Numatic International Italy S.R.L

Via Luigi Galvani, 2, Z.I. Talponedo, 33080 Porcia (PN), ITALY

Tel: +39 (0) 434 046 211 numatic.it

Specification subject to change without prior notice
numatic.com © Numatic International Limited