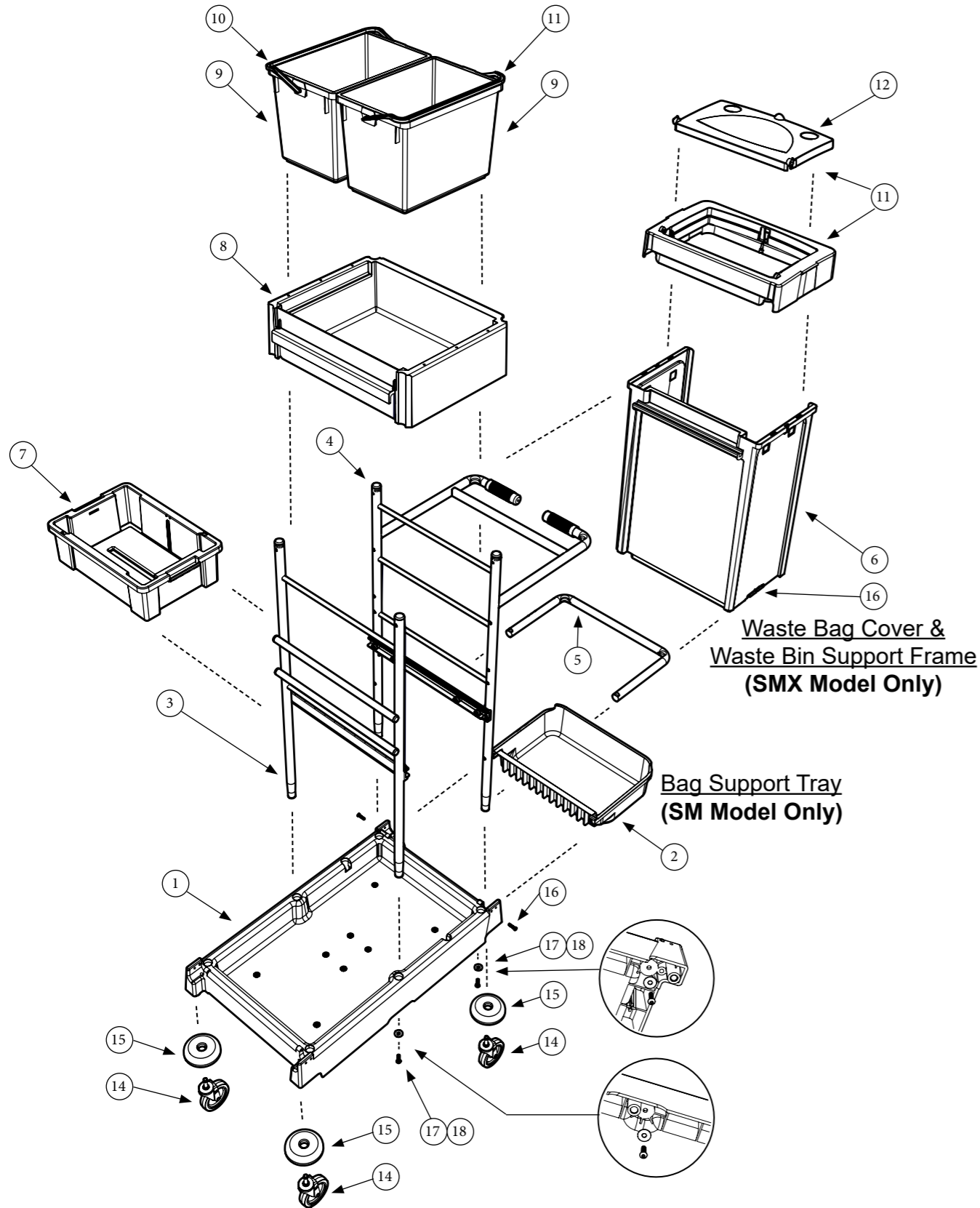


Exploded Spare ServoMatic SMX-1705



Item Number	Item Description	Part Number	Quantity	Trolley Model
1	Large black refo trolley base	910011	1	SM & SMX
2	Bag support tray black refo	910372	1	SM ONLY
3	Front upright assembly with 1 x runner	910972	1	SM & SMX
4	Rear upright assembly painted silver with 1 x runner and handle grips	912705	1	SM & SMX
5	Waste bin support frame (mild steel) weld assembly painted silver	912012	1	SMX ONLY
6	Waste bag cover and clip assembly	912677	1	SMX ONLY
7	Half storage black refo box assembly	910305	1	SM & SMX
8	Clip on balck refo plain tray moulding	910012	1	SM & SMX
9	10 Litre bucket (grey)	905126	2	SM & SMX
10	6L Bucket handle (red)	905161	1	SM & SMX
11	6L Bucket handle (blue)	905162	1	SM & SMX
12	3 Piece Lidset	912676	1	SM & SMX
13	Colour code disc dark grey	223124	2	SM & SMX
14	4 Inch stem fitting castor	204062	4	SM & SMX
15	Buffer moulding	227479	4	SM & SMX
16	M5 x 35mm Pozi-pan screw Z/PL	220033	-	SM & SMX
17	M8 x 25mm LG.Socket bolt Z/PL	219555	-	SM & SMX
18	M8 Washer Z/PL	221154	-	SM & SMX
19	120-Litre grey waste bags (roll of 10 - 700mm x 1100mm) - Optional	908229	0.1	SM & SMX

Revision	A01
Part Number	912047



Numatic International Limited, Chard, Somerset, TA20 2GB
 Telephone: 01460 68600
 Fax: 01460 68458

UNITED KINGDOM: www.numatic.co.uk
 NETHERLANDS: www.numatic.nl
 PORTUGAL: www.numatic.pt

GERMANY: www.numatic.de
 SWITZERLAND: www.numatic.ch
 SPAIN: www.numatic.es

FRANCE: www.numatic.fr
 SOUTH AFRICA: www.numatic.co.za

www.numatic.co.uk

Specification subject to change without prior notice
www.numatic.co.uk © Numatic International Limited