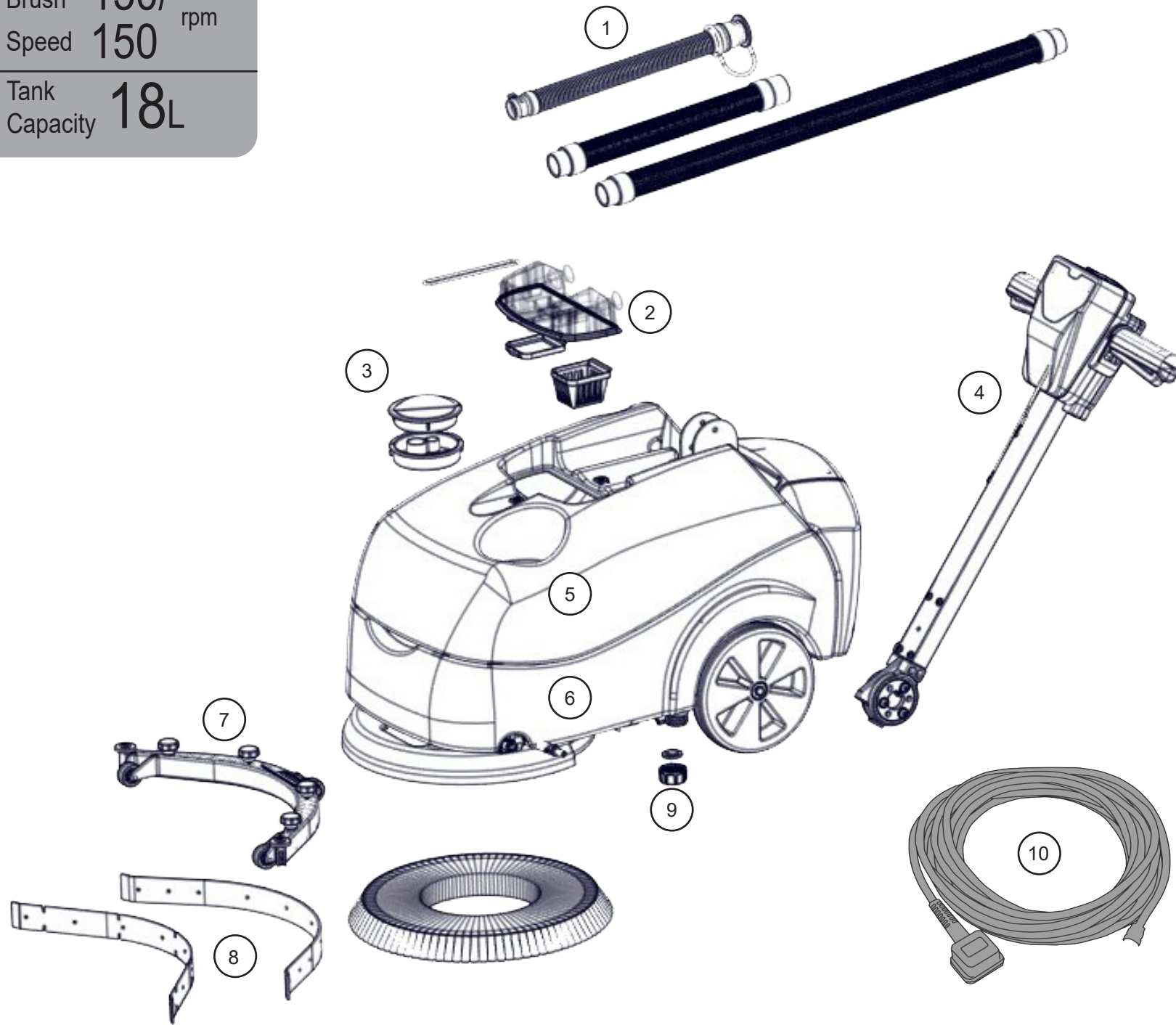


Exploded Spare Parts TTB1840NX



TTB1840NX

Brush 130/
Speed 150 rpm
Tank Capacity 18L



Genuine Accessories

| Num | Description | Num |
|-----|--|-----------------|
| | TTB 1840 DUMP HOSE / 32MM HOSE CAP RED | 208466 / 903325 |
| 1 | TTB 1840 SUCTION HOSE | 213054 |
| | TTB 1840 VAC HOSE | 213055 |
| 2 | TTB 1840 SEPERATOR ASSEMBLY | 330026 |
| | TTB 1840 SEPERATOR FILTER | 906070 |
| | TTB.1840 GRIT BASKET | 237232 |
| | O RING 95MM DIA X 3MM | 208715 |
| 3 | TTB 1840 FILLER CAP ASSEMBLY | 303985 |
| | FILLER CAP LID (RED) | 903544 |
| 4 | TTB1840 HANDLE ASSEMBLY.36V | 911565 |
| 5 | TTB.1840G TOP TANK ASSEMBLY | 903931 |
| 6 | TTB.1840.36V BASE ASSEMBLY | 911698 |
| 7 | TTB 1840 SQUEEGEE ASSEMBLY | 903532 |
| 8 | REPLACEMENT BLADE SET (2 PIECES) | 903531 |
| 9 | SEALING BUNG | 905467 |
| | CAP MOULDING (RED) | 905628 |
| 10 | MAINS CABLE.BLACK.1800.0m75.3.UK PLUG.VNBC13S PLUG | 912365 |

TTB.1840NX

| | | | |
|--------|------------------------------------|--------|---------------------------------------|
| 606102 | 400MM UNION MIX BRUSH | 900524 | 360MM NULOC2 DRIVE BOARD TT-TTB 1840 |
| 606105 | 400MM POLYSCRUB SCRUBBING BRUSH | 900967 | NUPLEX PADS - 3 PACK 350MM |
| 606302 | 370MM LONGLIFE SCRUBBING BRUSH | 900975 | NUPLEX PADS - 5 PACK 350MM |
| 606303 | 370 LONGLIFE LIGHT SCRUBBING BRUSH | 903531 | TT1840G/TTB1840G BLADE SET (2 PIECES) |
| 909996 | BATTERY.36.8700 | 208471 | CONSTANT TENSION CLIP(DUMP HOSE) |
| 911334 | LITHIUM BATTERY CHARGER | 901880 | PROTECTION PLUG |
| 912365 | CHARGER CABLE (UK) | 303961 | TANK FILTER ASSEMBLY |
| 208455 | M5 KNOB(BLACK) | | |

Disclaimer: Many factors beyond Numatic International Ltd control plus end user knowledge and control can affect the use and performance of a Numatic International Ltd product in a particular application.

The user is solely responsible for evaluating Numatic International Ltd products and evaluating if said product is suitable for a particular purpose and user's method of application.



Numatic International Limited, Chard, Somerset, TA20 2GB
Telephone: 01460 68600
Fax: 01460 68458

UNITED KINGDOM: www.numatic.co.uk
NETHERLANDS: www.numatic.nl
PORTUGAL: www.numatic.pt

GERMANY: www.numatic.de
SWITZERLAND: www.numatic.ch
SPAIN: www.numatic.es

FRANCE: www.numatic.fr
SOUTH AFRICA: www.numatic.co.za

Specification subject to change without prior notice
www.numatic.co.uk © Numatic International Limited

MED-001002 03/21 (A01)