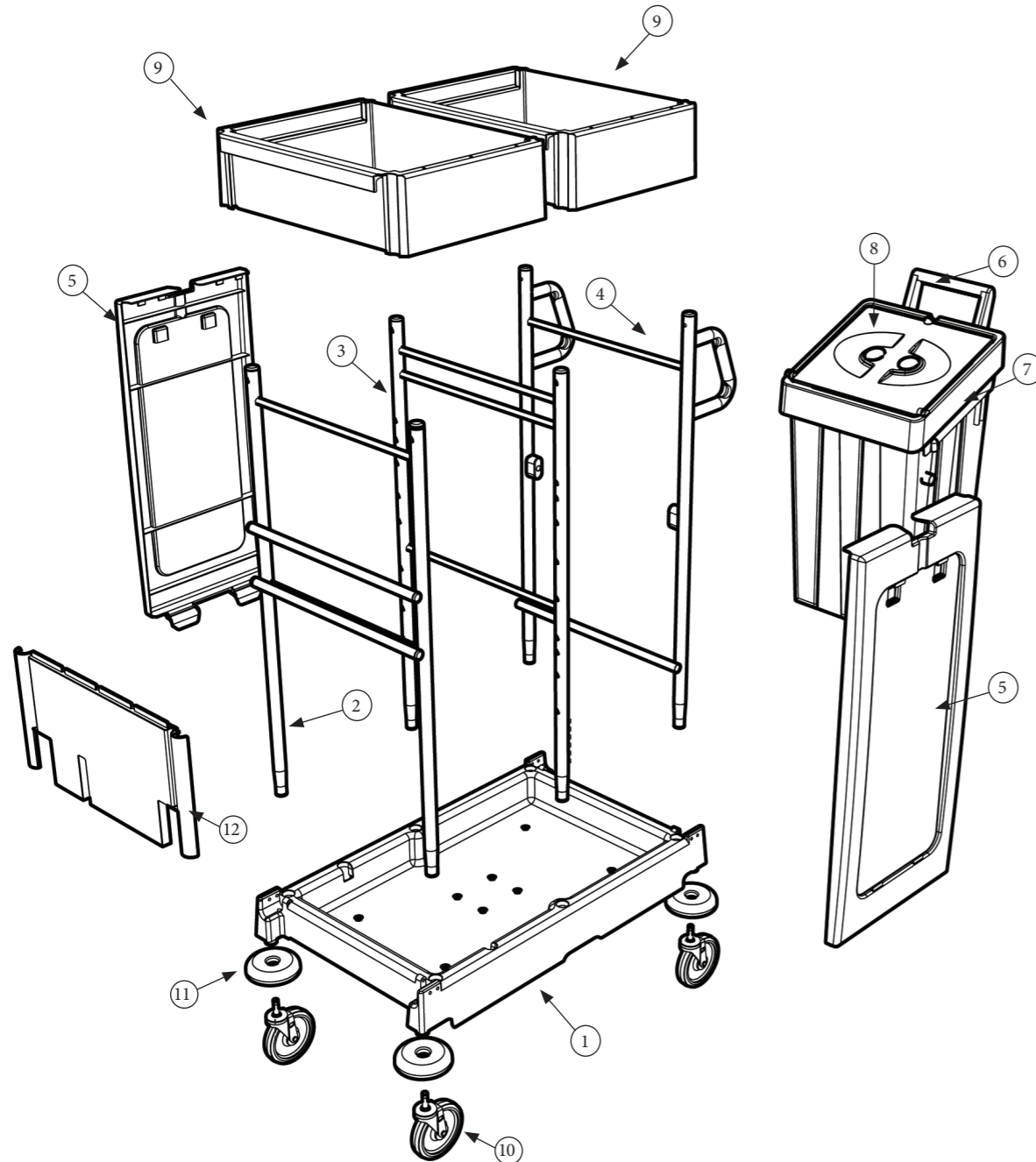


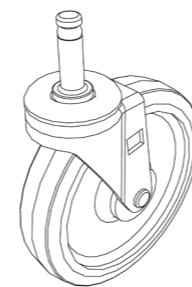
Exploded Spare PM-11S

Numatic

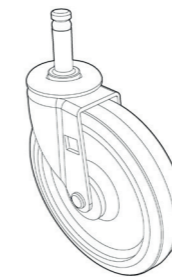


Number	Description	Part Number	Quantity
1	Large black reflo trolley base	910011	1
2	Upright frame weld assembly stainless (front)	908631	1
3	Upright frame weld assembly stainless (central)	908641	1
4	Rear upright frame welded assembly (stainless steel)	911949	1
5	Side panel black reflo moulding	910013	2
6	Bag securing frame	911710	1
7	Swing out waste bin assembly	911950	1
8	Lid (Grey)	911714	1
9	Clip on black reflo plain tray moulding	910012	2
10	Option A Castor - 4 Inch stem fitting castor	628425	4
	Option B Castor - 5 Inch stem fitting castor	629766	4
	Option C Castor - 200mm Grey PU castor	901813	4
11	Buffer moulding - Optional	227479	4
12	Front Panel	910012	1
13	120-Litre grey waste bags (roll of 10 - 700mm x 1100mm) - Optional	908229	1

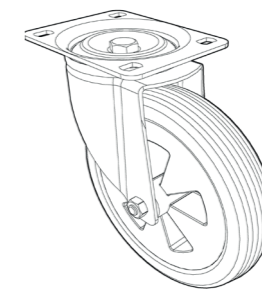
Castor Options:-



Option 'A' Castor
4 Inch Stem Fitting Castor
Part No 628425



Option 'B' Castor
5 Inch Stem Fitting Castor
Part No 629766



Option 'C' Castor
200mm Grey PU Castor
Part No 901813