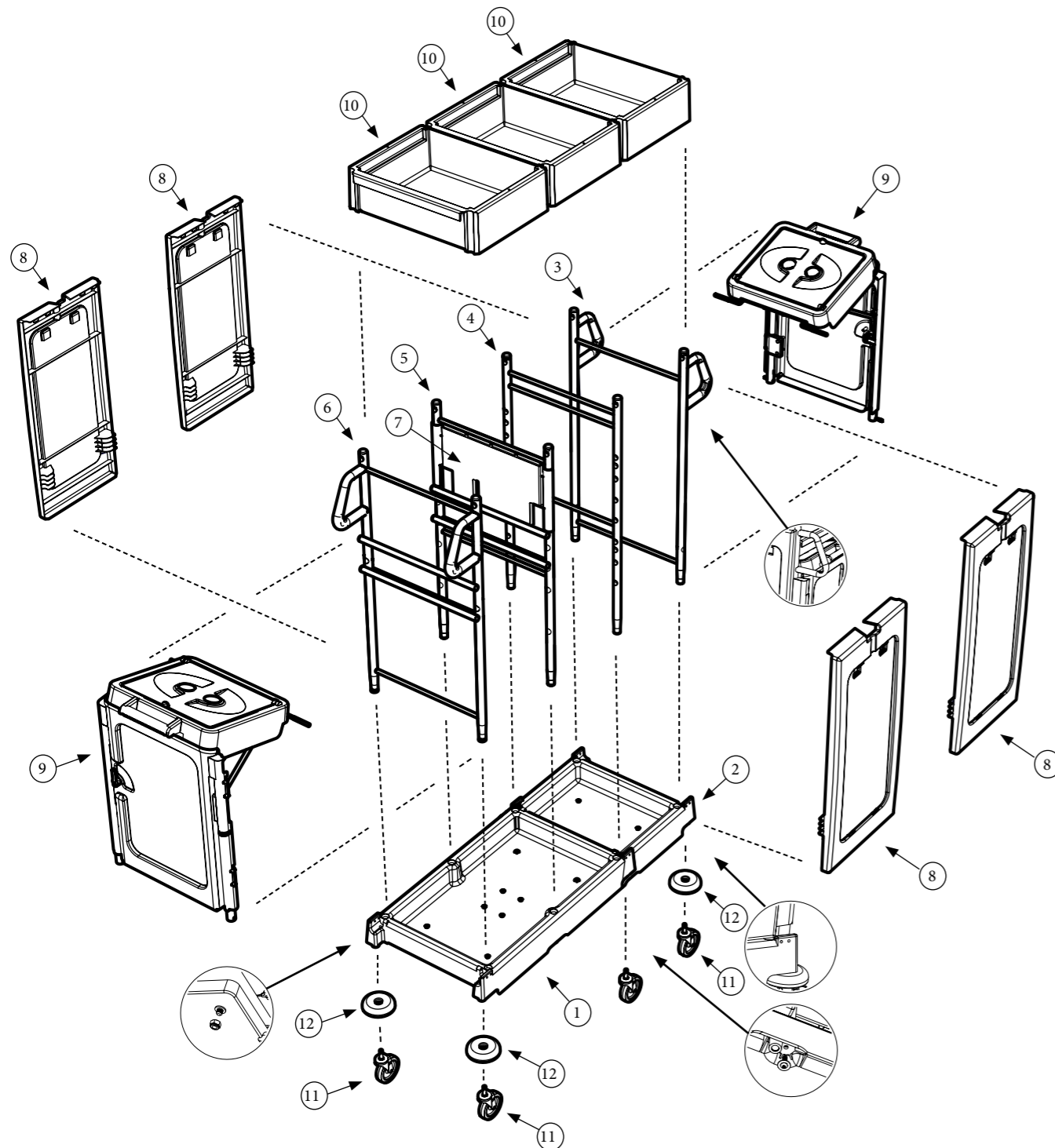


# Exploded Spare PM-22S

# Numatic



Number	Description	Part Number	Quantity
1	Large black refo trolley base	910010	1
2	Base extension black refo moulding	910034	1
3	Rear upright frame welded assembly (stainless steel)	908643	1
4	Upright frame weld assembly stainless (central)	908641	1
5	Upright frame weld assembly stainless (central)	909167	1
6	Upright frame weld assembly stainless (rear)	908629	1
7	Front panel black refo moulding	910013	1
8	Side panel black refo moulding	910013	4
9	Bag frame/door assembly (stainless)	909262	2
10	Clip on black refo plain tray moulding	910012	3
11	<b>Option A Castor</b> - 4 Inch stem fitting castor	628425	6
	<b>Option B Castor</b> - 5 Inch stem fitting castor	629766	6
	<b>Option C Castor</b> - 200mm Grey PU castor	901813	6
12	Buffer moulding - <b>Optional</b>	227479	4
13	120-Litre grey waste bags (roll of 10 - 700mm x 1100mm) - <b>Optional</b>	908229	0.2

## Castor Options:-



Option 'A' Castor  
4 Inch Stem Fitting Castor  
Part No 628425



Option 'B' Castor  
5 Inch Stem Fitting Castor  
Part No 629766



Option 'C' Castor  
200mm Grey PU Castor  
Part No 901813

Revision	A01
----------	-----

# Numatic

Numatic International Limited,  
Chard, Somerset, TA20 2GB  
Telephone: 01460 68600  
Fax: 01460 68458

**UNITED KINGDOM:** www.numatic.com  
**NETHERLANDS:** www.numatic.nl  
**PORTUGAL:** www.numatic.pt

**GERMANY:** www.numatic.de  
**SWITZERLAND:** www.numatic.ch  
**SPAIN:** www.numatic.es

**FRANCE:** www.numatic.fr  
**SOUTH AFRICA:** www.numatic.co.za

Numatic.com

Specification subject to change without prior notice  
www.numatic.com © Numatic International Limited